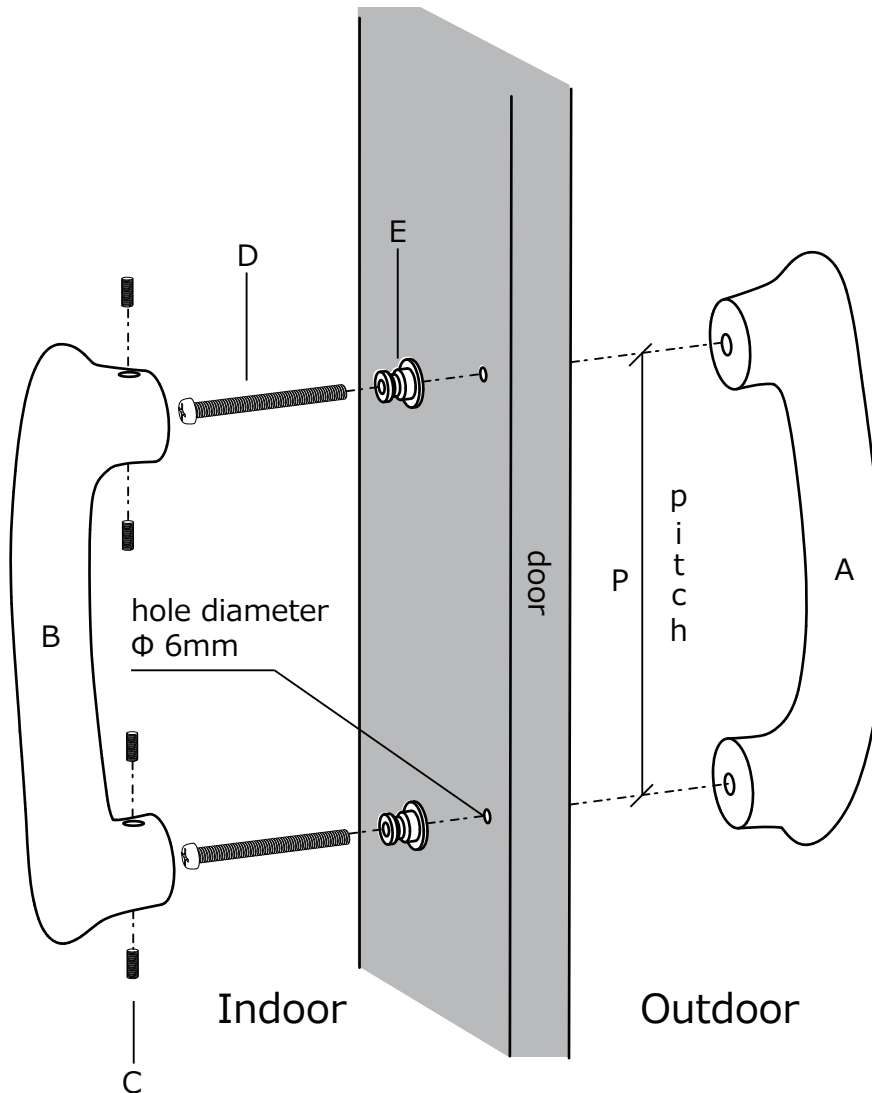


Instructions

- Door handle

1-1. Back to Back Pair



Contents of the pack

- A Outdoor handle : 1
- B Indoor handle : 1
- C Grub screw M4 : 4
- D Screw M5×50~90 : 2
- E Collar : 2

※C and E are set on the door handle at the time of shipment.

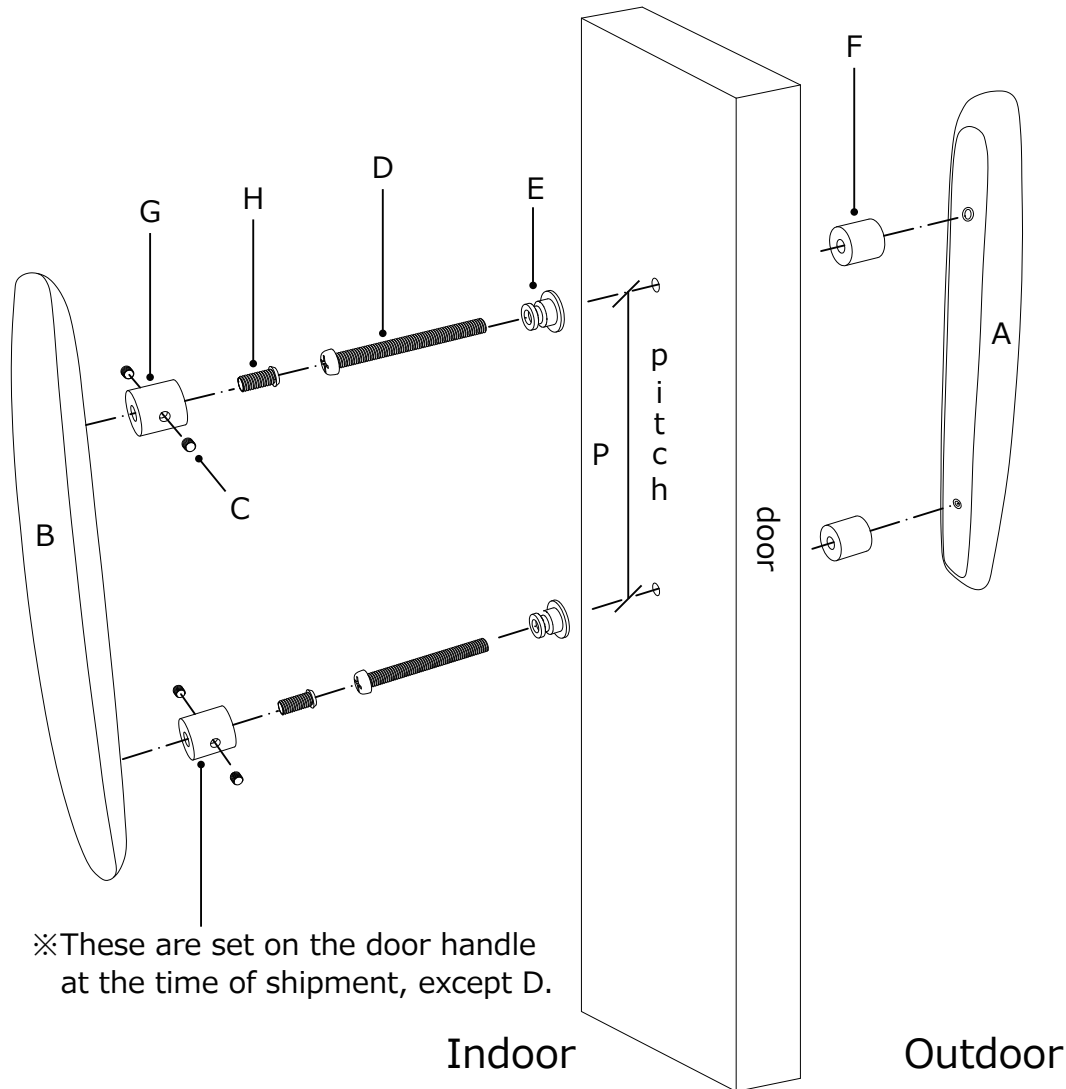
Instructions

1. After you have decided where to fix the handles, drill two $\Phi 6\text{mm}$ holes.
2. Assemble the screws **D** with the collars **E**, and fix the outdoor handle **A** from the indoor side.
3. Assemble the indoor handle **B** with the collars **E**.
4. Using a hex key 2.0, fix the grub screws **C** into the handle **B**.

Instructions

- Door handle

1-2. Back to Back Pair **DH-A2S/M/L DH-DS/M DH-E/P/R/U**



Contents of the pack

A Outdoor handle : 1	E Collar : 2
B Indoor handle : 1	F Spacer $\Phi 21 \times 36.5$ (use $\Phi 17.5 \times 25$ to only DH-A2S) : 2
C Grub screw M4 : 4	G Bracket $\Phi 21 \times 36.5$ (use $\Phi 17.5 \times 19$ to only DH-A2S) : 2
D Screw M5 or M6 : 2	H Screw : 2

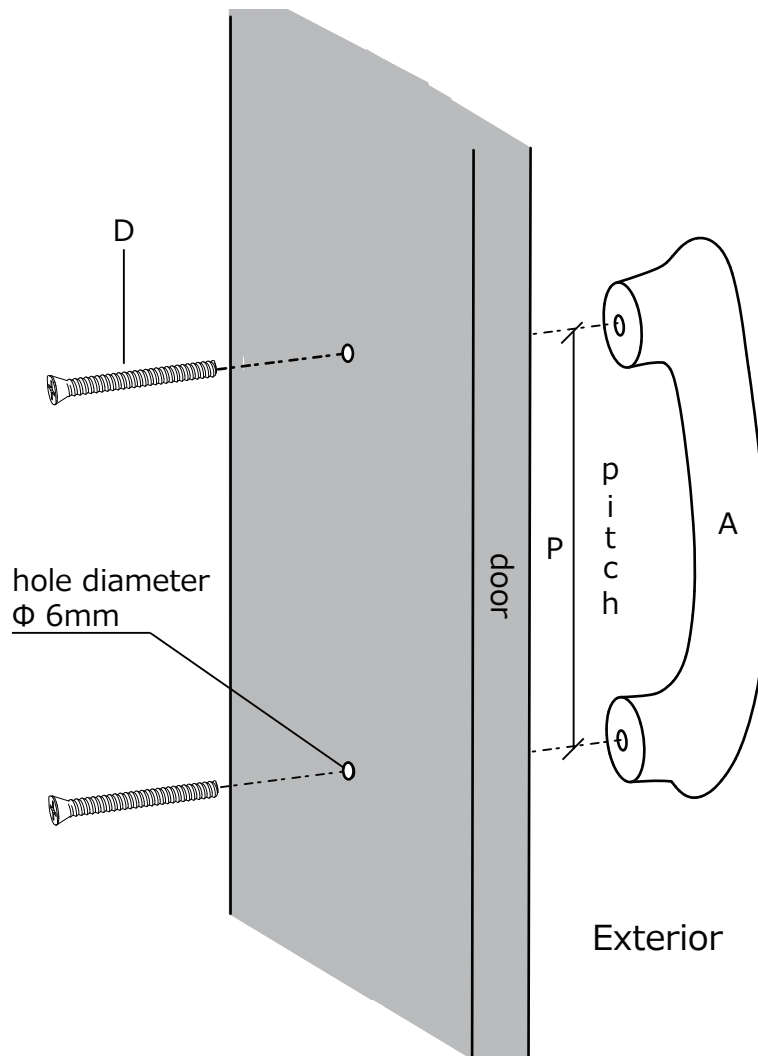
Instructions

1. After you have decided where to fix the handle, drill two about $\Phi 6$ mm holes.
2. Assemble the screws **D** with the collars **E**, spacer **F**, and fix the outdoor handle **A** from the indoor side.
3. Assemble the indoor handle **B** with the collars **E**.
4. Using a hex key 2.0, fix the grub screws **C** into the handle **B**.

Instructions

- Door handle

2-1. Single Bolt Through



Contents of the pack

A Door handle : 1

D Screw M5 : 2

Instructions

1. After you have decided where to fix the handles, drill two Φ 6mm holes.

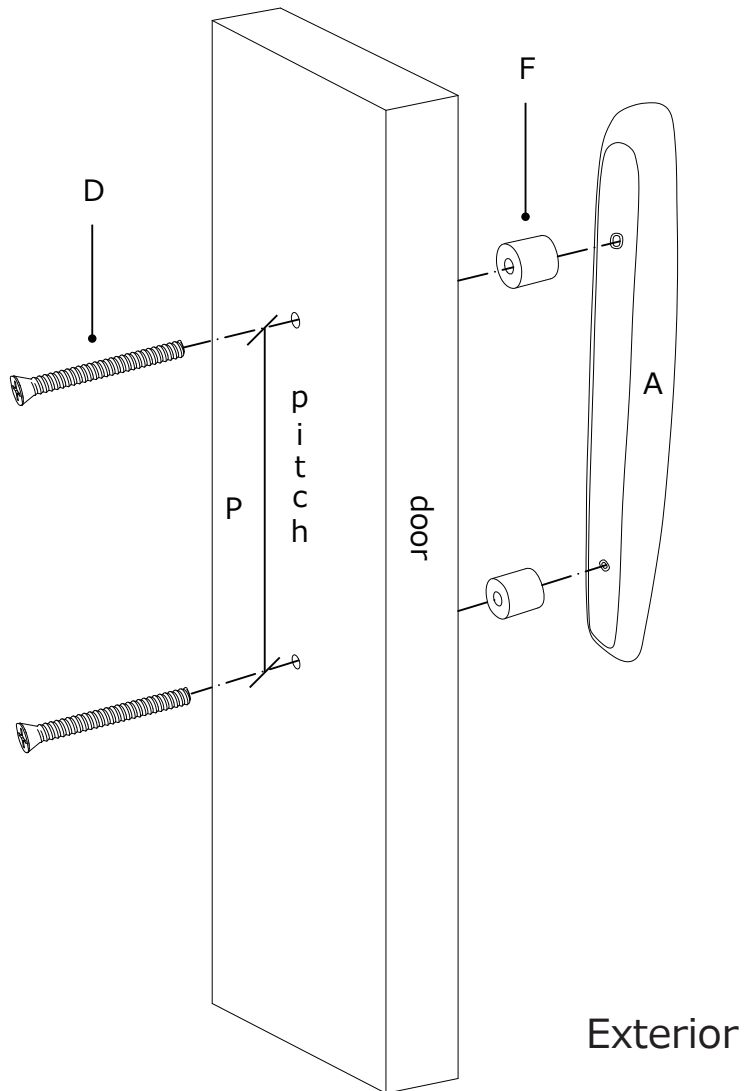
2. Fix the door handle **A** to the door with the screws **D**.

※ For a better finish, hide the screws head with a tiny wooden disc.

Instructions

- Door handle

2-2. Single Bolt Through **DH-A2S/M/L DH-DS/M DH-E/P/R/U**



Contents of the pack

A Door handle : 1

D Screw M5 or M6 : 2

F Spacer $\Phi 17.5 \times 25$ stainless or $\Phi 17.5 \times 20$ brass : 2

Instructions

1. After you have decided where to fix the handles, drill two about $\Phi 6$ mm holes.

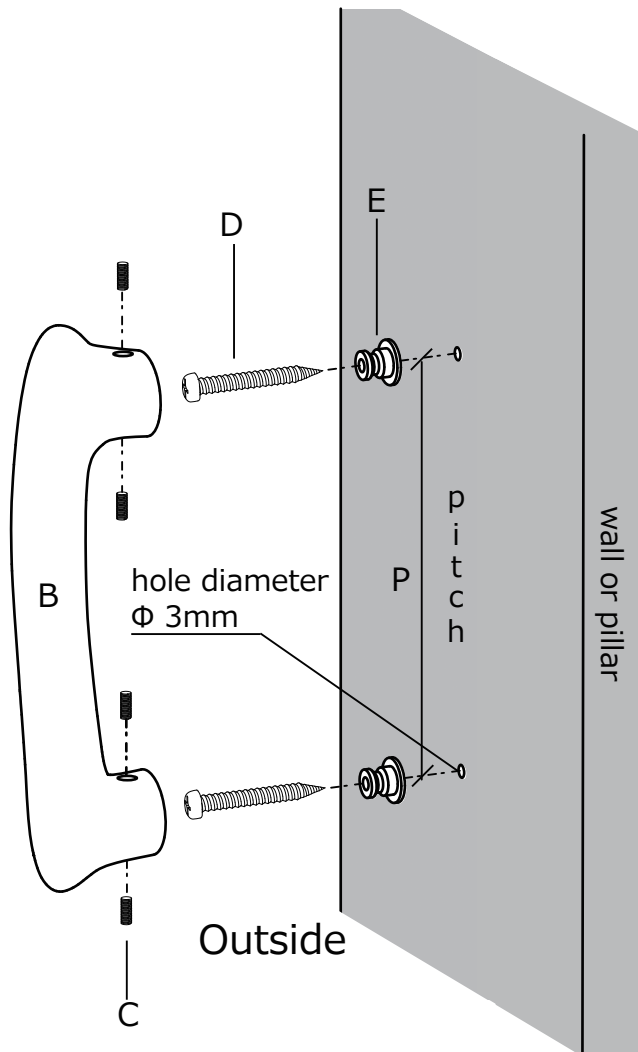
2. Fix the door handle **A** and the spacers **F** to the door with the screws **D**.

※ For a better finish, hide the screw head with a tiny wooden disc.

Instructions

- Door handle

3-1. Single Face Fix



Contents of the pack

- B Handle : 1
- C Grub screw M4 : 4
- D Vis M5 : 2
- E Collar : 2

※ C and E are set on the door handle at the time of shipment.

Instructions

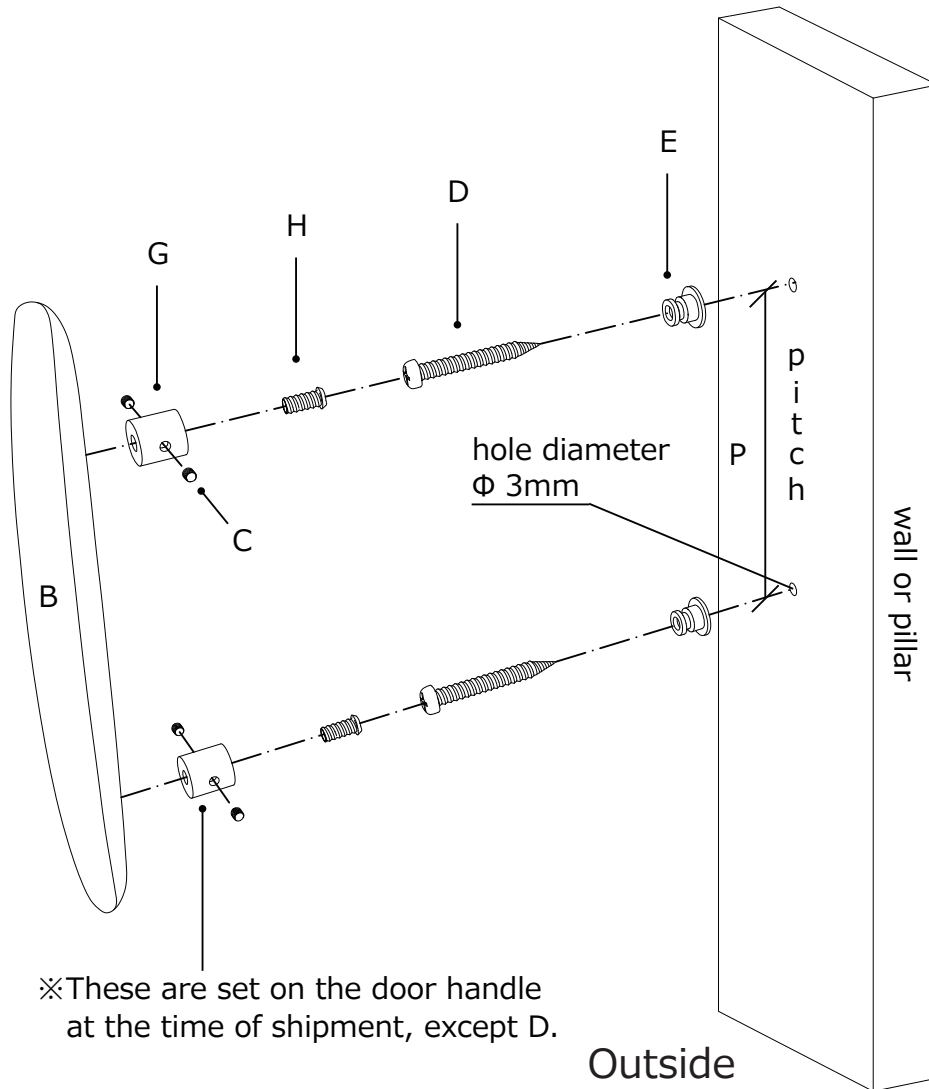
1. After you have decided where to fix the handles, drill two $\Phi 3\text{mm}$ holes.
2. Fix the collars **E** with the Vis **D**.
3. Install the handle **B** on the collars **E**.
4. Using a hex key 2.0, fix the grub screws **C** into the handle **B**.

※ Please make sure have sufficiently strong wall base.

Instructions

- Door handle

3-2. Single Face Fix **DH-A2M/L DH-E/P/R/U**



Contents of the pack

- B Handle : 1
- C Grub screw M4 : 4
- D Vis M5 : 2
- E Collar : 2
- G Bracket $\Phi 21 \times 36.5$ stainless : 2
- H Screw M5 : 2

Instructions

1. After you have decided where to fix the handle, drill two $\Phi 3$ mm holes.
 2. Fix the collars **E** with the vis **D**.
 3. Install the handle **B** on the collars **E**.
 4. Using a hex key 2.0, fix the grub screws **C** into the handle **B**.
- ※ Please make sure have sufficiently strong wall base.