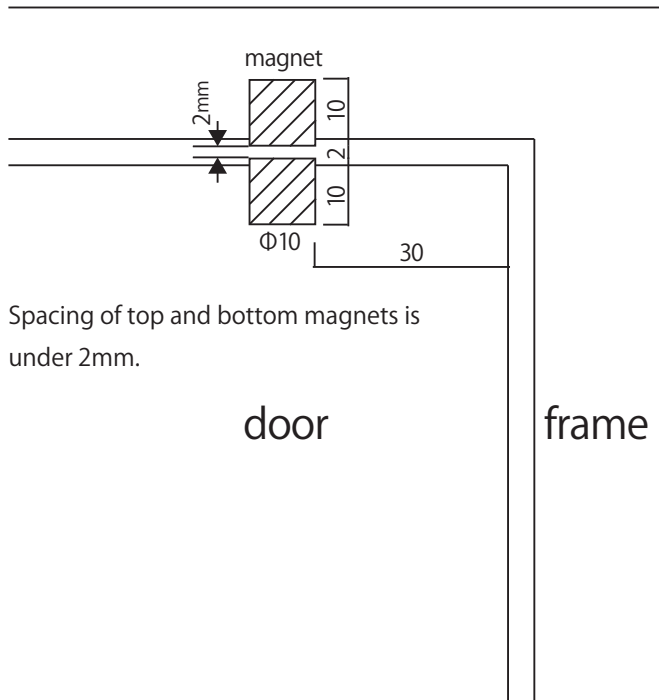


To keep the door closed



Spacing of top and bottom magnets is under 2mm.

Our doorhandles do not work with the tubular latch. In order to keep the door closed, you need the door closer or the thumb lock.

Otherwise, we provide two pieces of magnet $\Phi 10 \times 10$ to keep the door closed.

You can insert these magnets with glue into the wholes in the door and the frame.

※Please let us know if you need two magnets.



◀ Magnet $\Phi 10 \times 10$

